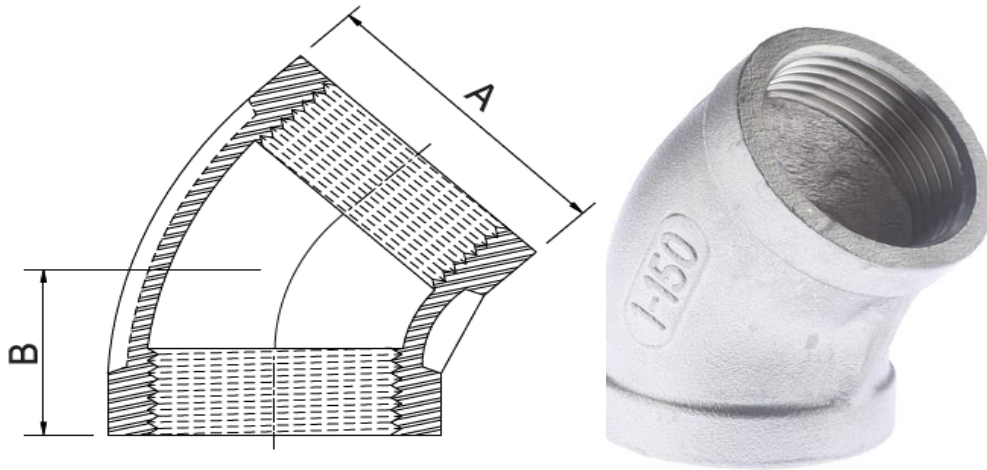




**STAINLESS STEEL
150 LBS SCREWED FITTINGS
BSPP (ISO 228-1), BSPT (ISO 7-1), NPT THREAD**

DIMENSION CONFORM TO ASME B16.3 AND ANSI/MSS SP-114-2018 WHERE APPLICABLE
MATERIAL CONFORM TO ASTM A351 GR. CF8 & CF8M
PRESSURE-TEMPERATURE RATINGS 300 PSI (-29 TO 66°C)
MADE BY LOST WAX INVESTMENT CASTING



ELBOW 45° F.F.

SIZE	A	B	Weight
	(mm)	(mm)	(Kg/Pc)
1/8"	14.00	15.30	0.02
1/4"	17.40	18.50	0.03
3/8"	21.00	20.00	0.04
1/2"	26.80	20.00	0.06
3/4"	32.30	23.90	0.08
1"	39.80	27.90	0.13
1 1/4"	49.00	33.10	0.21
1 1/2"	55.80	36.10	0.30
2"	68.00	42.00	0.42
2 1/2"	90.00	49.10	1.11
3"	100.00	54.20	1.38
4"	127.00	65.20	1.86